

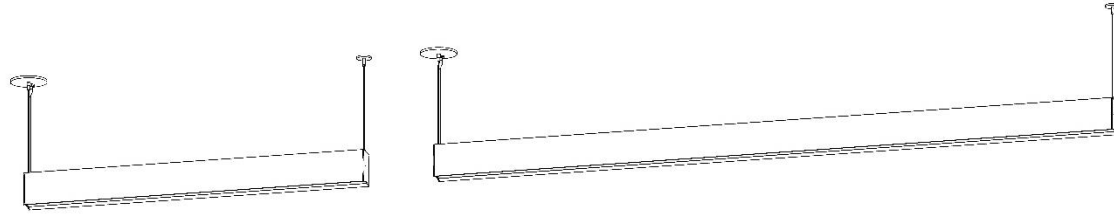


)**ula.linear™** 5-slider

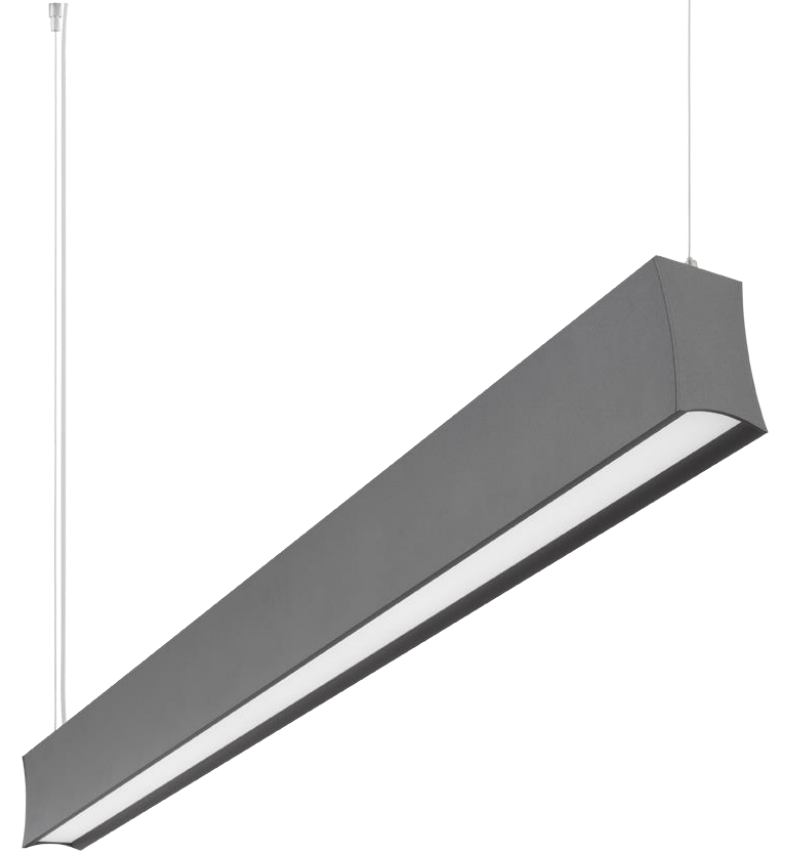
your lighting rep has
recommended the
)ula.linear™****
pendant for your project
Let's take a quick look:



sizes and lumens



- P7248 (4'): 1600-4000 lm direct/ 1600-4000 lm indirect
- P7296 (8'): 3300-8100 lm direct / 3200-8100 lm indirect



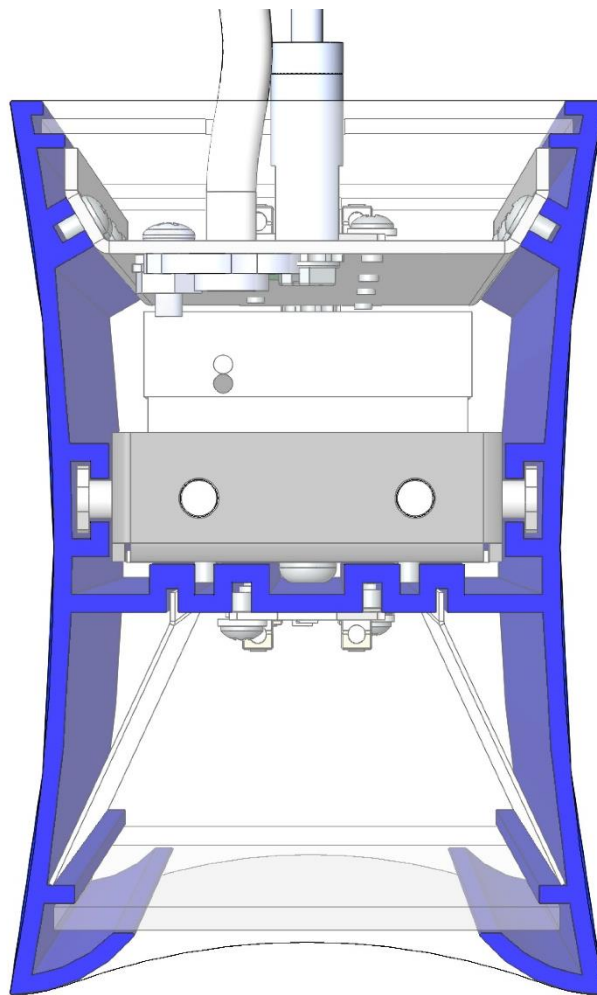
construction

two point vertical mounting utilizing 3' or 6' long stainless-steel cables w/ field adjustable grippers

47" white module LED board, L80 > 72,000 hrs, 90 cri standard, 3000K, 3500K, 4000K direct or direct/indirect

integral programmable drivers, field maintainable, universal input (120-277v), 0-10v controllable, 1% dimmi

bottom lens .118" thick laser cut optimum light diffusion acrylic w/ 72% light transmission



80 degree batwing diffuser patent-pending Brightwing™ achieves a flat-field beam profile, uniformly illuminating the ceiling without a central hot-spot.

94% efficient

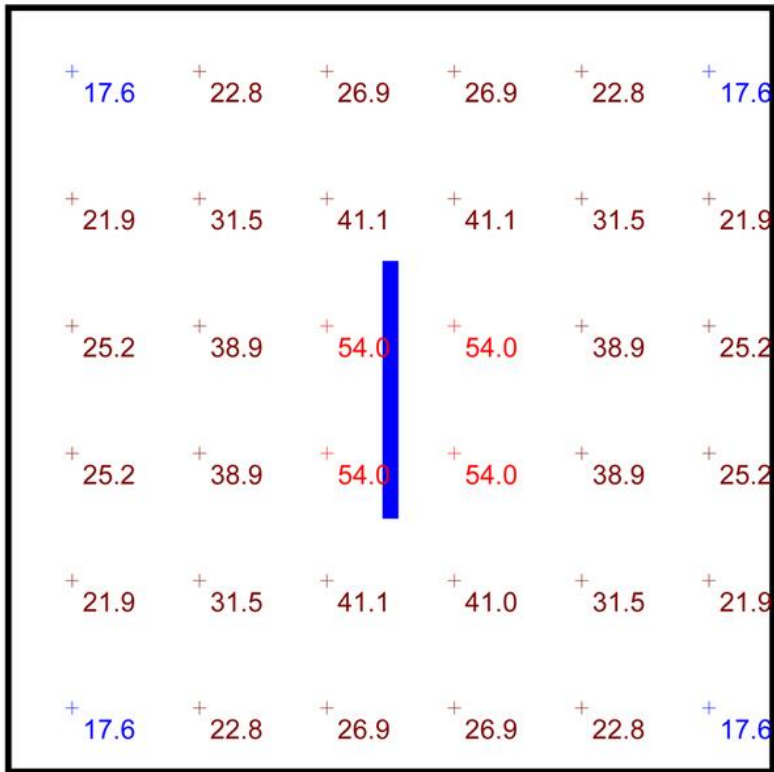
hourglass curved profile with a soft bullnose bottom return

choose from 15 standard powder coat paint finishes

seamless single piece aluminum extrusion

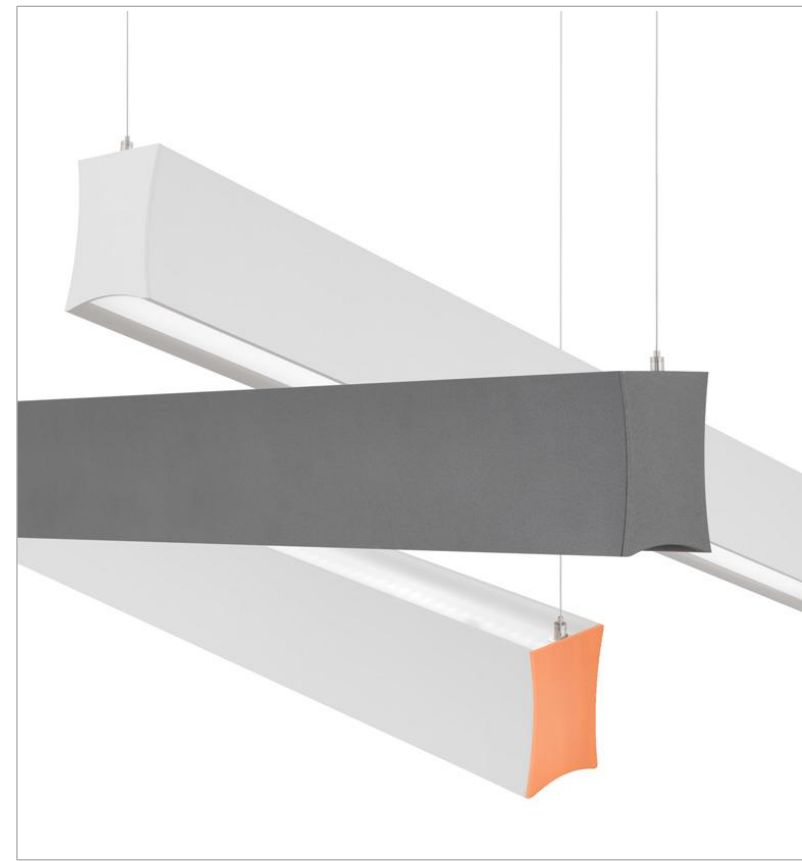
performance

Statistics						
Description	Symbol	Avg	Max	Min	Max/Min	Avg/Min
ula.linear	+	31.1 fc	54.0 fc	17.6 fc	3.1:1	1.8:1



Plan View
Scale - 1" = 2ft

- 12' x 12' x 10'H space
- 80/50/20 reflectances
- bottom of fixture at 8" aff
- FC readings at 2.5' aff
- layout conducted using P7248 HX - HX (4000 direct / 4000 indirect delivered lumens) 90CRI





www.impactltg.com

- spec sheet and color chart
- photometric files and BIM models
- built to order in Saint Louis, MO, USA
- 6-week lead time

)ula.linear™ 5-slider

